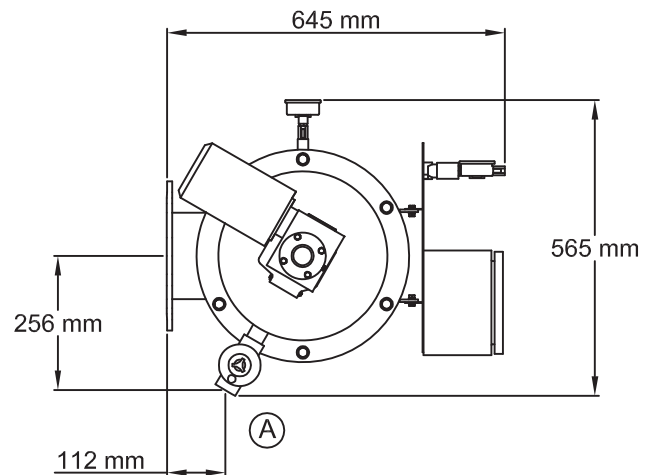



- Ⓐ Colector drenaje 1"  
**1" Drainage manifold**
- Ⓑ Colector entrada 6"  
**6" Inlet manifold**
- Ⓒ Colector salida 6"  
**6" Outlet manifold**



### AZUD LUXON LDB 5400 S/6

SCALE S/E A4 FORMAT	MATERIAL:	RESPONS.: M. Martínez	
	UNITS: mm.	REVISION: 00	
	FILE: Azud_luxon_LDB_5400-S6.dwg	31/05/2011	